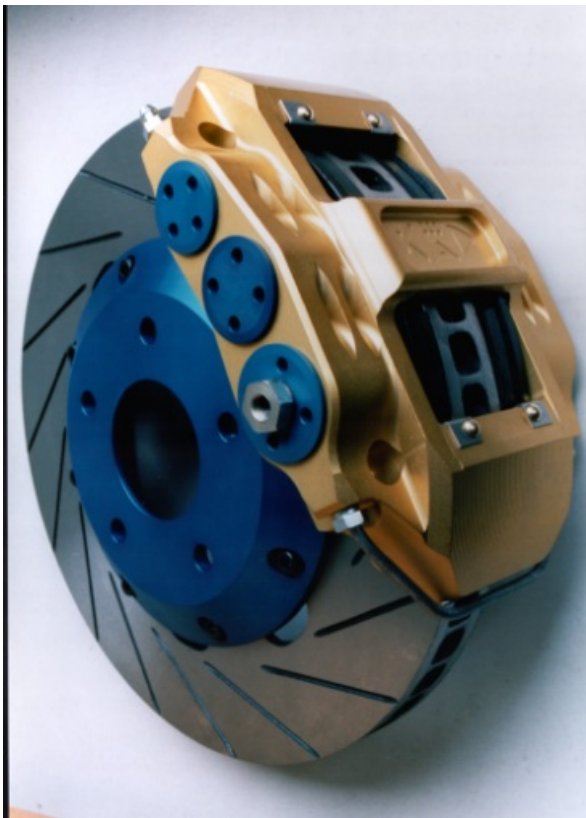
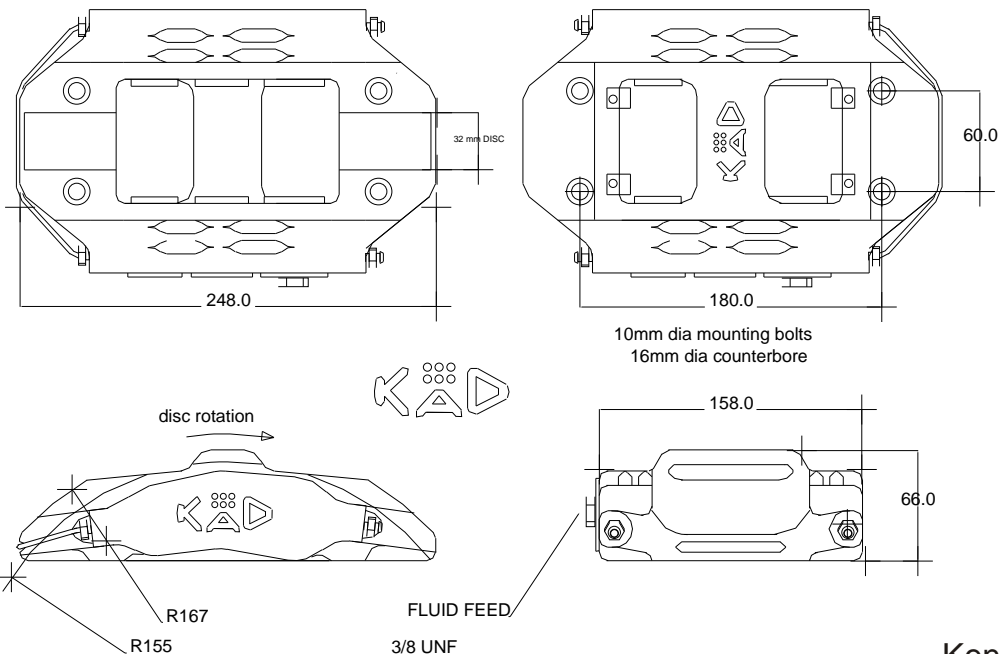


1012120 6 pot caliper: Type C



- Suitable for 300-320mm diameter x 32mm wide discs
- 1 piece monobloc body CNC machined from billet 2014 T6 alloy, hard anodised in gold or black
- Radial mounting, 180mm centres, offset 36.5mm from disc centre line
- Stainless steel pistons, differentially sized to combat pad taper wear (28/32/36mm)
- Pressure seals fitted to pistons, no dust seals fitted
- Single line fluid feed, thread size 3/8 UNF
- Vehicle weight to 1800kgs, wheel sizes 16-17"
- Weight less pads 2.3kg
- Uses Mintex MDB1292 pad shape



Kent Auto Developments Ltd
 Brooker Farm, Newchurch,
 Romney Marsh Kent TN29
 ODT.
 Tel +44-1303-874082
 Fax +44-1303-872451
 email sales@kad-uk.com